

TRVT561

tru•vue™

Mobile Height Adjustable Trolley

For 32" to 60" LCD/LED Displays

The TruVue TRVT561 provides a sleek & tidy mobile solution for 32"-60" displays. Complete with 2 heavy duty poles to display the screen at a maximum height of 1530mm (60.2").

It's unique and convenient Display height adjustment is complimented by spring plunges allowing the display to be vertically positioned easily. Complete with cable management, 4 heavy duty braked caster wheels, and a spacious shelf for AV components.



FEATURES

- Height Adjustable Max: 1530mm (60.2")
- Universal VESA® 200x200 up to 600x400mm
- Plastic component shelf for AV equipment
- Internal Cable Management; hide cables to provide a tidy look.
- Smooth matt black finish
- Includes height adjustable VC Shelf



Display size: 32"-60"



Max load: 45.5kg (100lbs)

■ **HEIGHT ADJUSTMENT**
Adjusts & Locks Position

■ **X4 LOCKING CASTER WHEELS**
Provides stability

■ **INTERNAL CABLE MANAGEMENT**
Creates a clean, professional installation while protecting and organising the cables



Internal Cable Management



Locking height adjustments



Model Numbers

WARRANTY: Limited 5-year

TRVT561

TruVue Mobile Height Adjustable Trolley TRVT561

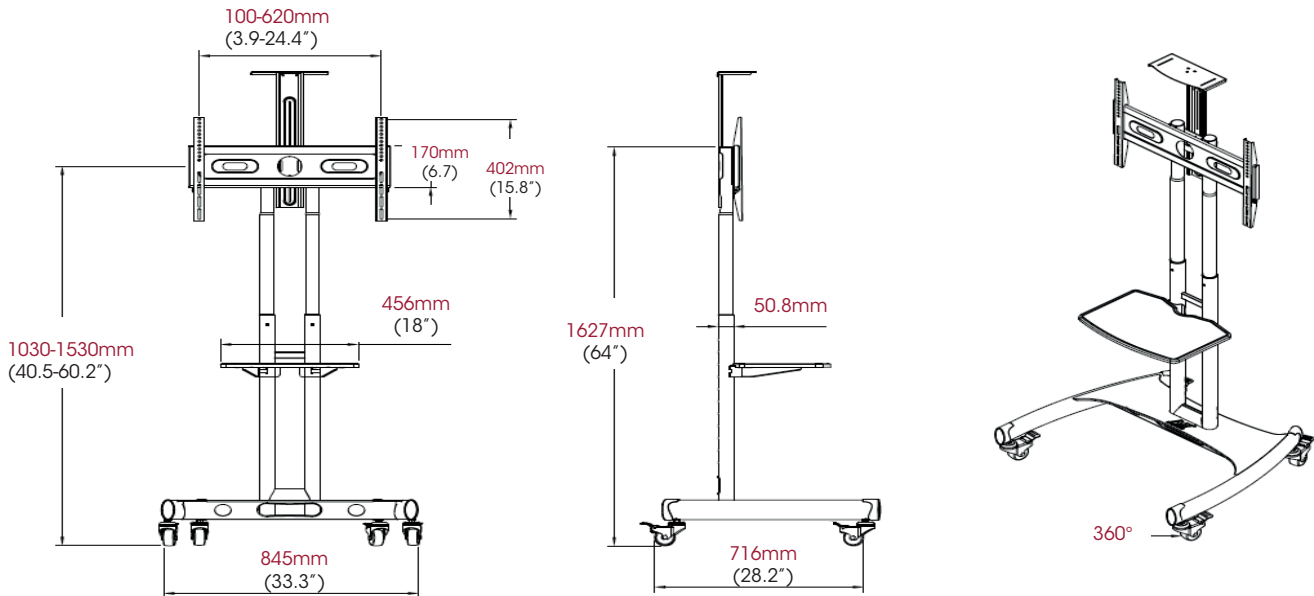
Product Specifications

	DIMENSIONS (W x H x D)	PRODUCT WEIGHT	LOAD CAPACITY	FINISH	AVAILABLE COLORS
TRVT561	845 x 2043 x 716mm (33.2" x 80.4" x 28.1")	21.5kg (47.3lb)	45.5kg (100lbs)	Powder Coat	Black

Package Specifications

	PACKAGE SIZE (W x H x D)	PACKAGE SHIP WEIGHT	PACKAGE UPC CODE	PACKAGE CONTENTS	UNITS IN PACKAGE
TRVT561	985 x 125 x 931mm (38.7" x 4.9" x 36.6")	25.5kg (56.1lb)	735029306894	Trolley, Component shelf, Instructions, Mounting Hardware	1

All dimensions = inch (mm)



Visit peerless-av.com to see the complete line of AV solutions from Peerless-AV, including outdoor displays, wireless, kiosks, digital audio, display mounts, projector mounts, carts/stands, and a full assortment of accessories.

Peerless-AV
2300 White Oak Circle
Aurora, IL 60502 USA
(800) 865-2112
(630) 375-5100
Fax: (800) 359-6500

Peerless-AV Europe
Unit 3 Watford Interchange
Colonial Way, Watford
Herts, WD24 4WP
United Kingdom
+44 (0) 1923 200100
Fax: +44 (0) 1923 200101

Peerless-AV de México
Ave de las Industrias 413
Parque Industrial Escobedo
Escobedo, N.L.,
Mexico 66050
+52 (81) 8384-8300
Fax: +52 (81) 8384-8360

peerless-AV®

LIT-XXXX