

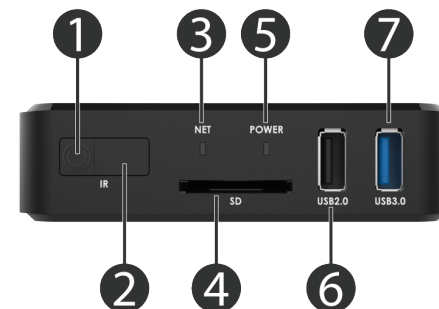
# KB1200 Quick Start Guide



## CONNECTIONS & INDICATORS

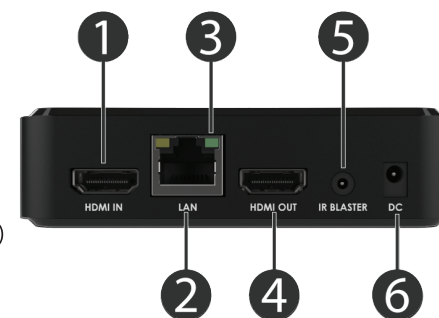
### a) FRONT PANEL

- 1 System Power Button
- 2 Infrared Receiver Window
- 3 Network Activity Indicator
- 4 SD Memory Card Slot
- 5 Power Status Indicator
- 6 USB 2.0 Type A
- 7 USB 3.0 Type A



### b) REAR PANEL

- 1 HDMI Video Input
- 2 Ethernet LAN Port
- 3 Network Activity Indicator
- 4 HDMI Video Output
- 5 Infrared Signal Output (Future)
- 6 5V/2A DC Power Input



## SETUP

### a) DISPLAY

Connect the KB1200 HDMI Output to the Display using the HDMI cable supplied.

### b) NETWORK

If available, connect an Ethernet network cable to the KB1200 LAN socket from your network.

### c) POWER

Connect the supplied AC adapter to the KB1200 and plug the adapter into an AC outlet.

### d) MOUSE & KEYBOARD

A mouse is required for setup using the On-screen Display (OSD) menus. A keyboard is required to change device name and for additional settings.

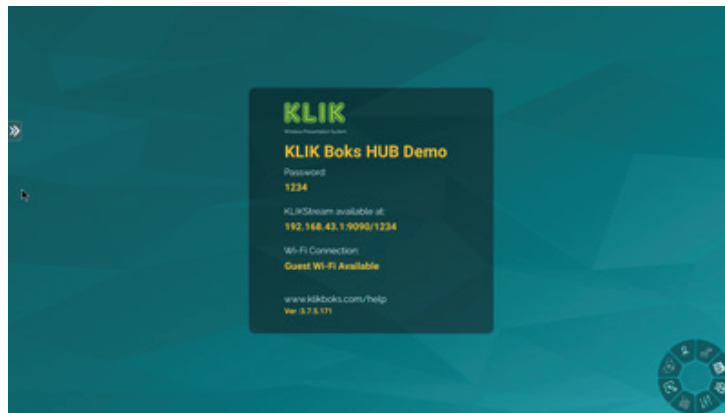
## POWER ON

### a) STARTUP

The KB1200 starts automatically when power is applied. On first start, the KB1200 will attempt to connect to the cloud server for authentication. If a network connection is not available, the device will default into trial mode.

### b) STANDBY SCREEN

By default, the KB1200 will display the Basic Mode standby screen on first start.



## OPERATION

### a) NETWORK CONNECTION

When the KB1200 is connected to a network via Ethernet, users must also be connected to the same network in order to use the device. Otherwise, refer to the Hardware Configuration guide for instructions on connecting the KB1200 to a Wi-Fi network or activating the Hotspot function.

### b) SCREEN MIRRORING

Start a screen mirroring session by installing the KLIKConnect application (Win/Mac) or by using AirPlay (Mac/iOS) or Google Cast(Chromecast). Select the KB1200 by name to start a screen mirroring session.

### d) NETWORK CONNECTIVITY

A network connection with Internet access is required for license validation of the KB1200. Once validated, the Internet connection is only required for Internet Live Streaming (see Section 7) Operation, 6) Session Streaming), otherwise Internet access is not required for normal operation.

A network connection is required for the KB1200 to be shared by users across an organization. This network connection may be wired, using the Ethernet connection point, or wireless, using the Wi-Fi station connection method described below.

### e) ETHERNET

To connect the KB1200 to an Ethernet network, simply connect a suitable Category cable terminated to an RJ45 connector, to the KB1200's Ethernet port located on the rear panel. The KB1200 comes preconfigured with DHCP enabled, so IP address allocation will be automatic, providing that the network offers a DHCP server. A fixed IP address may also be assigned.

### f) WI-FI

To connect the KB1200 to a Wi-Fi Access Point (AP), first gather the AP name and password credentials. See Section 5 Hardware Setup > 3) Hardware Configuration > b) Wi-Fi Settings for details. KB1200 also supports 802.1x.

### g) HOTSPOT

The KB1200 can act as a Wi-Fi Hotspot, allowing users to connect directly to the unit, instead of making a network connection first. The Hotspot can be provisioned with network access if the KB1200 is also connected to the LAN using the Ethernet connection. Hotspot is not available when the KB1200 is connected to a network using Wi-Fi. See Section 7 Operation > 7) Guest Wi-Fi Connectivity for more details.

**NOTE: For complete setup and operating instructions, download the complete User Manual from the KLIK website at <https://www.klikboks.com/start>**

Copyright © 2023 KLIK Boks Inc. - All rights reserved.  
All Trademarks and Registered Trademarks are the property of their respective owners and are used under fair use doctrine.  
[www.klikboks.com](http://www.klikboks.com)